

Fowler

Trimos THV Horizontal/Vertical



Newly developed by Trimos of Switzerland, Fowler introduces the innovative horizontal/vertical instrument that fulfills current quality requirements for many applications.

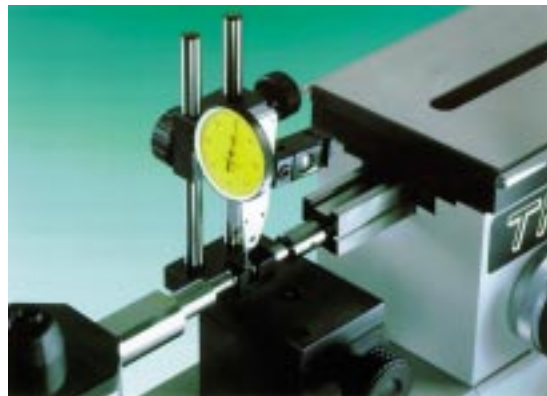
Multiple accessories ensure versatile applications for checking all types of gages such as plug gages, ring gages, thread plug gages, lever dial indicators, etc. as well as precision manufactured parts. Maximum measuring range for all internal and external dimensions is 4" (100mm).

High accuracy is guaranteed by perfect instrument construction and the Heidenhain measuring system. The simplicity of the instrument and its ease of use allows precise and quick performance of all measurements.

The instrument can be used in a horizontal position without the stand, or it can be inclined through 90° using an optional stand.

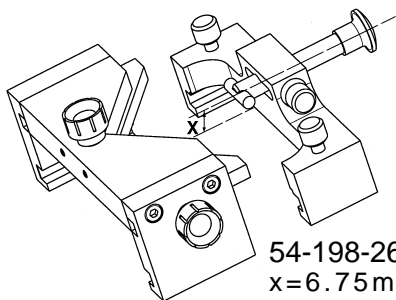
Specifications

Overall measuring range	(Using standard probes)
External measurements	0—4" (0—100mm)
Internal measurements	.4—4" (10—100mm)
Scale range (travel)	Absolute display over 2" (50mm)
Max. measuring band error	.00002" (.5µm) reference temperature 20°C
Resolution on Heidenhain ND 281	.00001", .000001"
	.001, .0001 or .00002mm
Repeatability	.000005" ±2s (.1µm)
Adjustable measuring force	0 to 4N, up to 40 ounce possible with optional pneumatic thread attachment

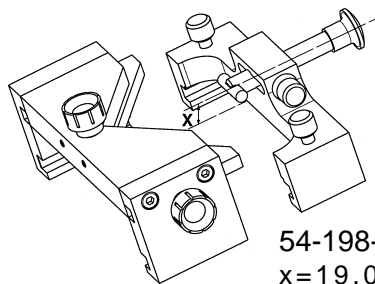




Trimos THV Horizontal/Vertical



54-198-260
x=6.75mm



54-198-261
x=19.0mm



Order No.	Description
54-198-500	THV with standard table plus 54-198-010 and 53-190-019
54-198-505	THV with standard table, scale and readout plus 54-198-010, 53-190-019 & 54-197-503
54-198-550	THV with floating table for I.D. measuring plus 54-198-020 and 53-190-019
54-198-555	THV with floating table for I.D. measuring plus 54-198-020, 53-190-019 & 54-197-503
54-198-001	Standard table (included with 54-198-500 and 54-198-505)
54-198-010	Set of internal probes from .4"/10mm up for standard table (included with 54-198-500 and 54-198-505)
54-198-012	Set of 6mm Ø x 34mm internal ball probes from .51"/13mm up for standard table
54-198-020	Set of internal probes from .4"/10mm up for floating table (included w/54-198-550 & 555)
54-198-022	Set of 6mm Ø x 41mm internal ball probes from .51"/13mm up for floating table
54-198-100	Block support for 54-198-101 and 54-198-150
54-198-101	H-plate with clearance
54-198-150	Test indicator holding device
54-198-160	Block support for 54-197-106
54-198-170	Support device with V for external diameters
54-198-180	Micrometer spindle for testing dial and test indicators
54-198-181	8mm clamp for holding dial diameters
54-198-182	3/8" clamp for holding dial indicators
54-198-200	Base for inclination—required for thread measurement
54-198-250	ID floating table (included with 54-198-550 and 54-198-555)
54-198-260	Reverse attachment—European
54-198-261	Reverse attachment—American
54-198-300	Pneumatic thread device, Allows up to 40 ounces of pressure.
53-190-019*	Standard .256"/6.5mm diameter external probes Included w/all units
53-190-032*	External probe with M2.5 x .45 thread
53-190-033*	.315"/8mm diameter external probes
53-190-034*	External probes with 4.48 thread
53-190-037*	.078"/2mm diameter external probes
54-197-007**	Thread wires and holders
54-197-106**	Floating table for pin and plug gages
54-197-503	Support for display (included with #54-198-505 and 54-198-555)
54-198-175	Support pin .12"/3mm diameter for #54-198-170
54-198-176	Support pin .24"/6mm diameter for #54-198-170
54-198-015	Inserts for internal measuring from .197"/5mm up for table #54-198-001
54-198-025	Inserts for internal measuring from .197"/5mm up for table #54-198-250
#TULM 31	PC Board IK121 with cable—Contact the technical dept. for quote.