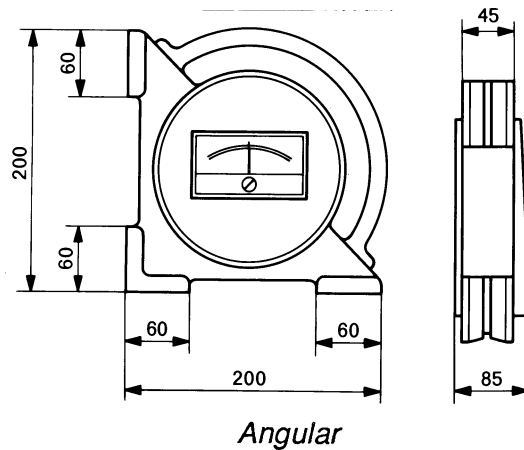


# Fowler

## Wyler Electronic Level: Niveltronic



### Specifications:

- Two measuring ranges, reversible:
  - I= $\pm 0.0075"/10"$ ,  $\pm 0.75\text{mm/m}$ ,  $\pm 150$  sec.  
1 division =  $0.0005"/10"$ ,  $0.05\text{mm/m}$ , 10 sec.
  - II= $\pm 0.0015"/10"$ ,  $\pm 0.15\text{mm/m}$ ,  $\pm 30$  sec.  
1 division =  $0.0001"/10"$ ,  $0.01\text{mm/m}$ , 2 sec.
- Instantaneous measurement: reading can be made about three seconds after setting up the Niveltronic.
- High accuracy: the instrument repeats better than  $0.001\text{mm/m}$  (0.2 sec.) and maximum indication error does not exceed  $0.005\text{mm/m}$  (1 sec.).
- Easy zero setting: fine setting by potentiometer, capacity  $\pm 0.0015"/10"$ ,  $\pm 0.15\text{mm/m}$ ,  $\pm 30$  sec. Coarse setting by an eccentric cam. Range  $\pm 0.018"/10"$ ,  $\pm 1.8\text{mm/m}$ ,  $\pm 6$  min.
- Stable current supply by means of a battery.
- No calibration required during the lifetime of the battery or when battery is replaced.
- Analog output:  $\pm 2\text{V}$ .



Order No.	Description	Weight
54-800-000	Niveltronic Electronic Level (battery included)	9 lbs. (4.1 kg.)
54-800-005	Battery 4.65V	